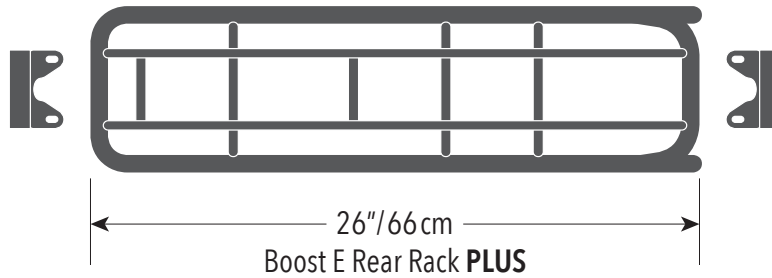


HIGH RAIL PLUS INSTALLATION

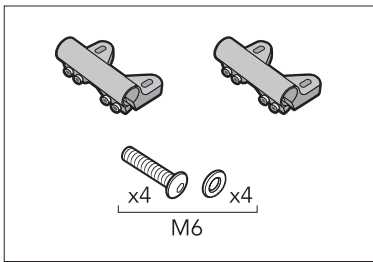
For Benno® Boost E Rear Racks PLUS

**READ CAREFULLY BEFORE INSTALLATION AND USAGE.
TO BE INSTALLED BY MECHANIC AT AUTHORIZED BENNO DEALER.**

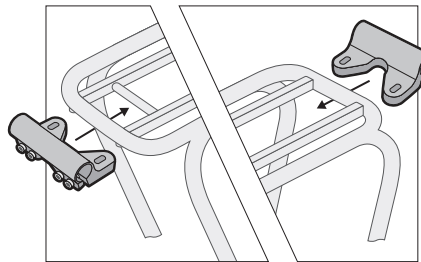
IMPORTANT: The High Rails **PLUS** can only be installed with the Rail Clamps **PLUS** on Boost E Rear Racks **PLUS**.
(All Boost E model year 2020 and later come standard with a Boost E Rear Rack **PLUS**)



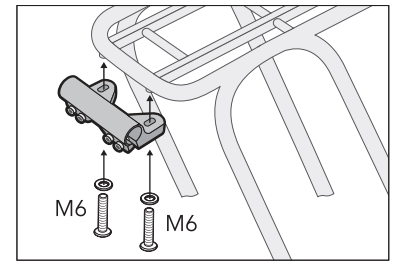
STEP 1: RAIL CLAMP PLUS INSTALLATION (NOT INCLUDED/SOLD SEPARATELY)



1. Ensure correct hardware count before installation. Included are two clamps and four M6 bolts and washers.

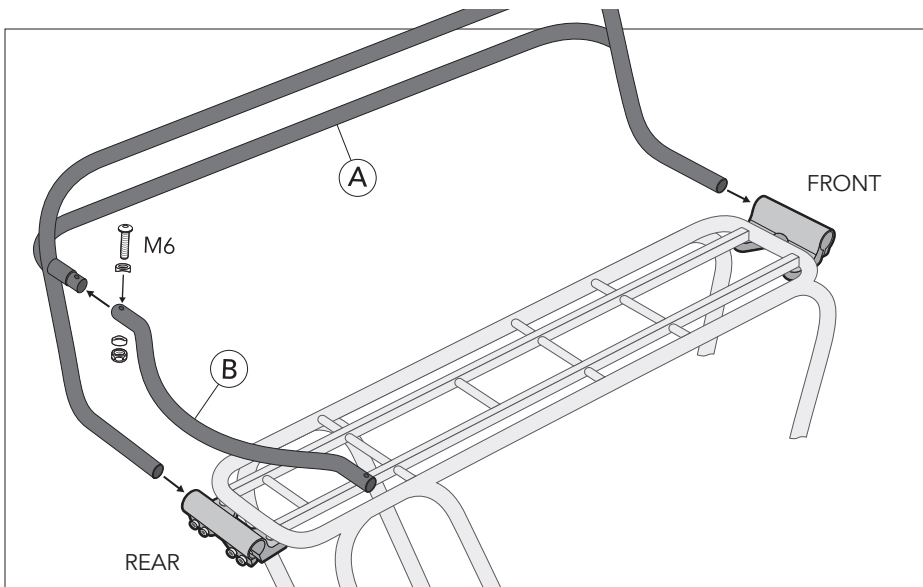


2. Place one clamp on each end of the rack (front and rear). Insert clamps from below and line up with the two fittings on the underside of the rack.

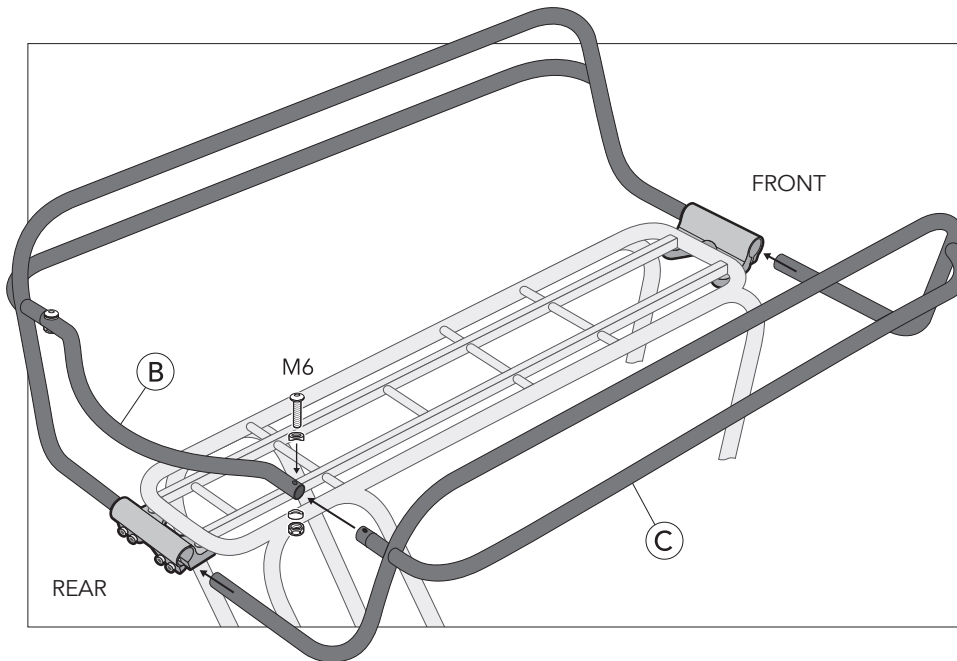


3. Insert the two M6 bolts through the slotted holes of the clamp and screw into the fittings on the underside of the rack. **HAND-TIGHTEN BOLTS SLIGHTLY – CLAMPS STILL NEED TO BE ABLE TO MOVE.**

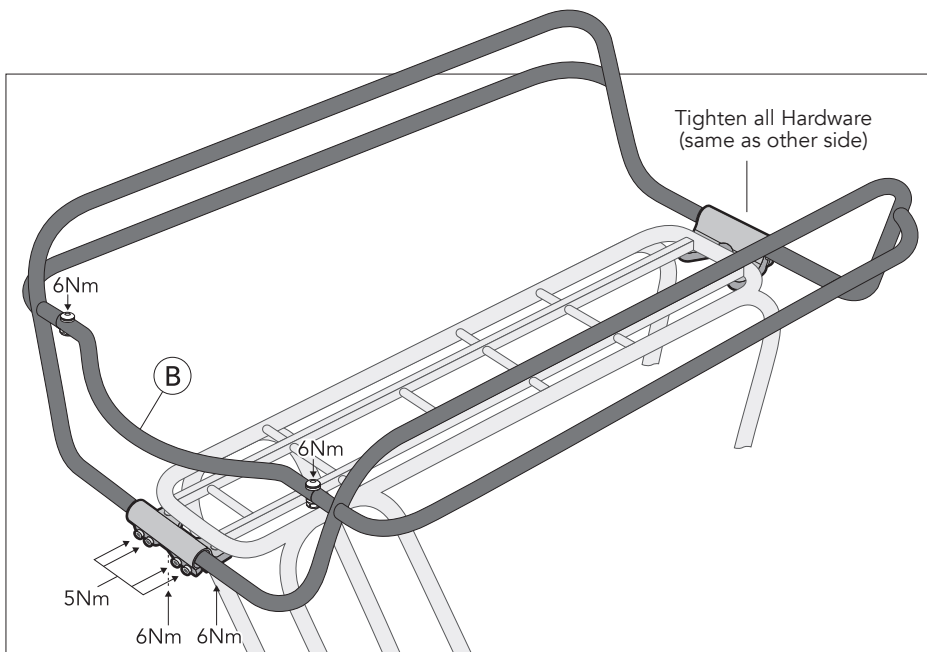
STEP 2: HIGH RAIL PLUS INSTALLATION



4. Insert both lower ends of left rail (A) from the left side all the way into the center of the clamps until they come to a stop. Loosen clamp bolts as needed for easy insertion. **DO NOT TIGHTEN YET.** Then connect rear rail (B) to the upper end of the left rail (A) as shown. Use M6 bolt, spacers and nut as shown to ensure connection between rail (A) and rail (B).



5. Insert both lower ends of right rail (C) from the right side into the center of the clamps until they come to a stop while connecting the upper end to the rear rail (B) as shown. Use M6 bolt, spacers and nut as shown to ensure secure connection between rail (B) and rail (C).



6. Once all pieces are installed, adjust and straighten rails and clamps as needed.

IMPORTANT:
NOW TIGHTEN ALL HARDWARE FIRMLY
 (see Nm in illustration).
 Please double-check all 14 nuts and bolts.

IMPORTANT: Notes to mechanic: See diagram. Install Benno Rail Clamps PLUS and Rails PLUS only on compatible Benno Boost E Rear Racks PLUS and use only pre-drilled holes and fittings. M5 bolts are to be tightened to 5Nm and M6 bolts to 6Nm. Do not mount clamps and rails to damaged racks. Use only original Benno Rails PLUS with Benno Rail Clamps PLUS. Do not modify clamps, racks or rails, change position or drill new holes as this will void any warranties and/or claims for liability.

Notes to owner: Periodically check to make sure all nuts and bolts remain tightened as vibrations may loosen them. Always make sure no parts of the body or clothing come near moving parts on the bicycle such as chain, spokes, tires or brakes.

WARNING: BENNO RAILS MAY HELP STABILIZE LOAD DURING NORMAL OPERATION BUT DO NOT PROTECT IN THE EVENT OF AN ACCIDENT OR BIKE FALLING OVER. RAILS DO NOT INCREASE MAX LOAD INDICATED ON RACK. DO NOT SIT OR STAND ON RAILS.